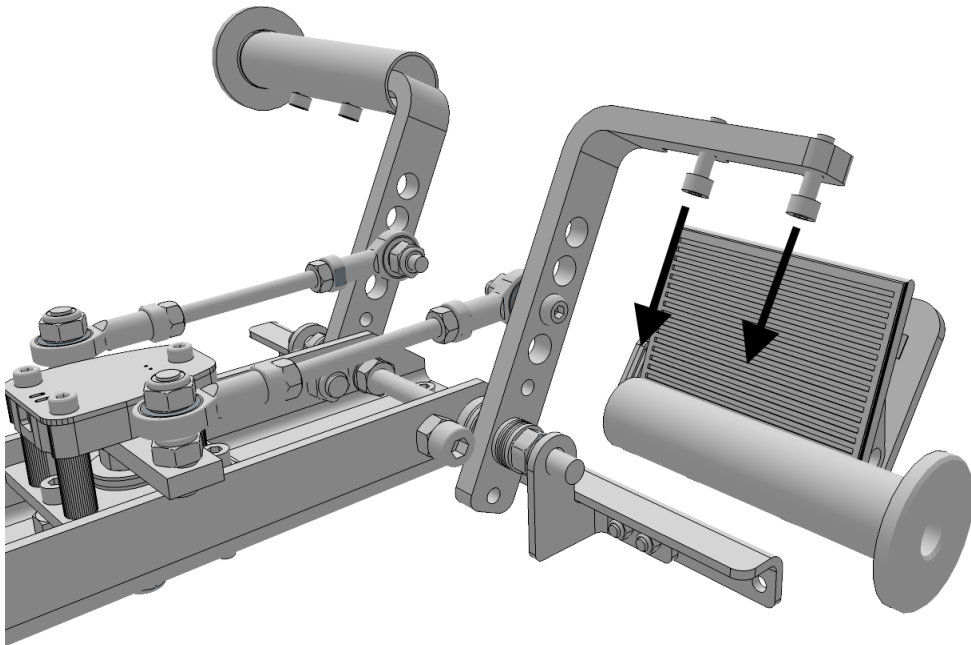
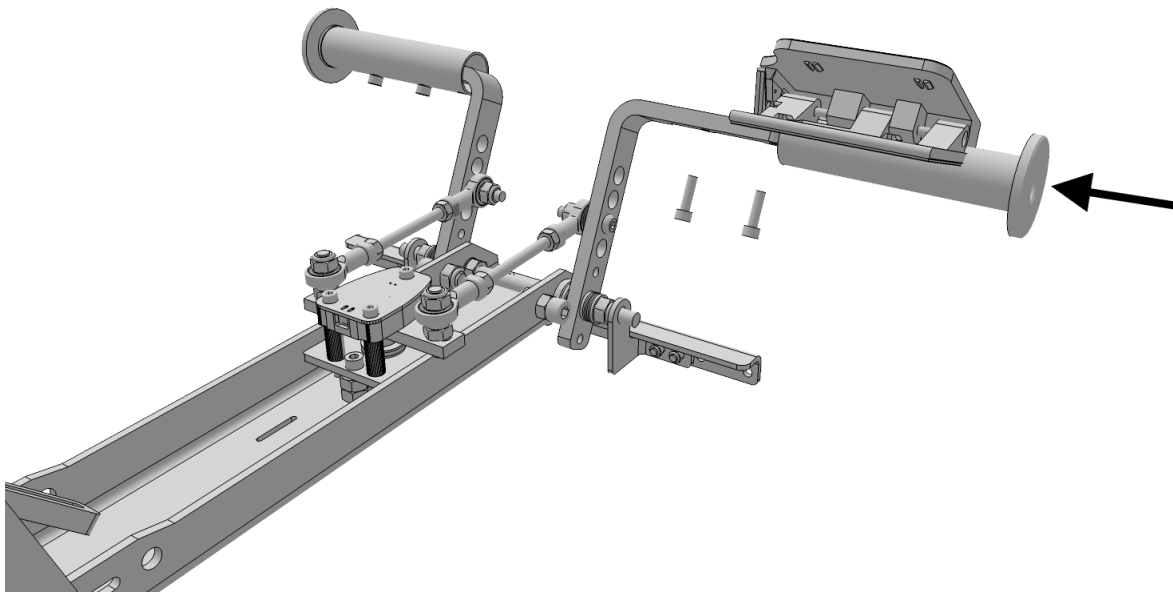


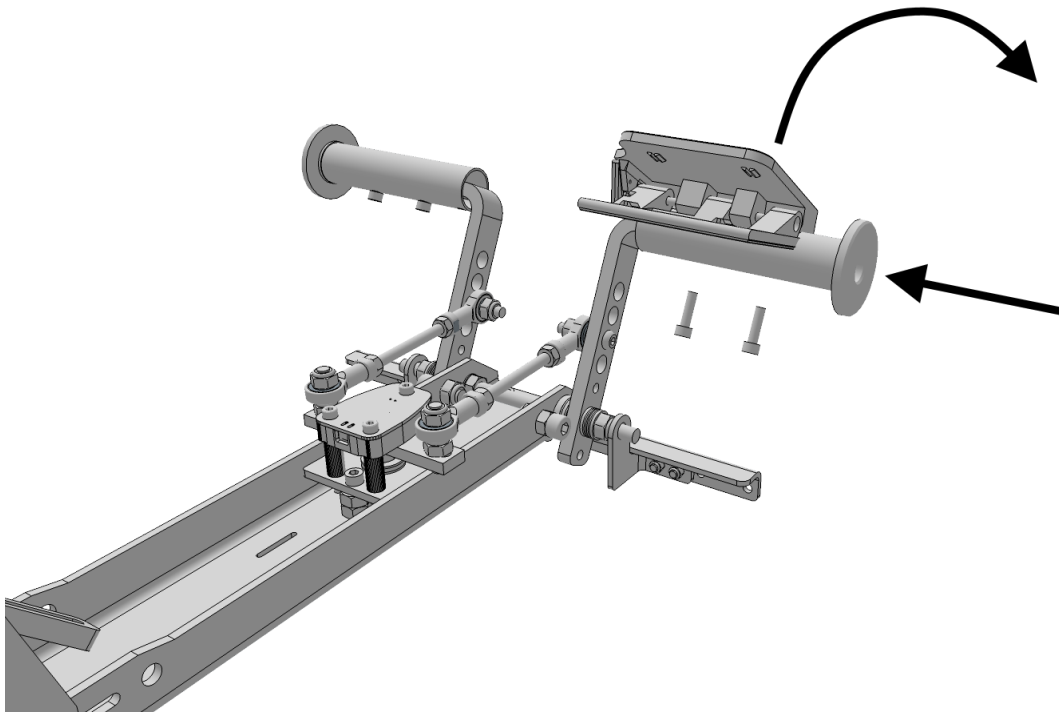
Remove the pedal screws



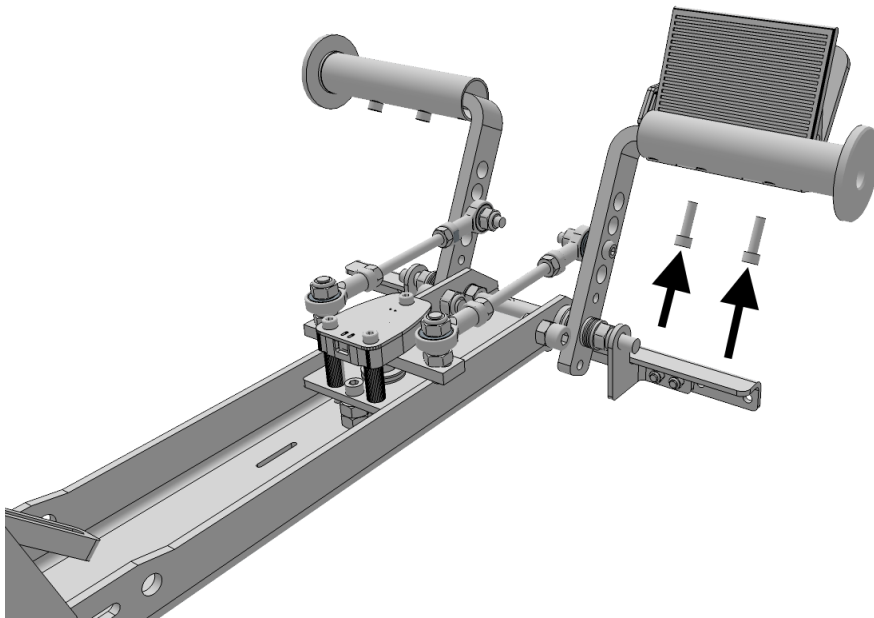
Insert the toe brake assembly. You need to initially hold it flat towards the cyclic



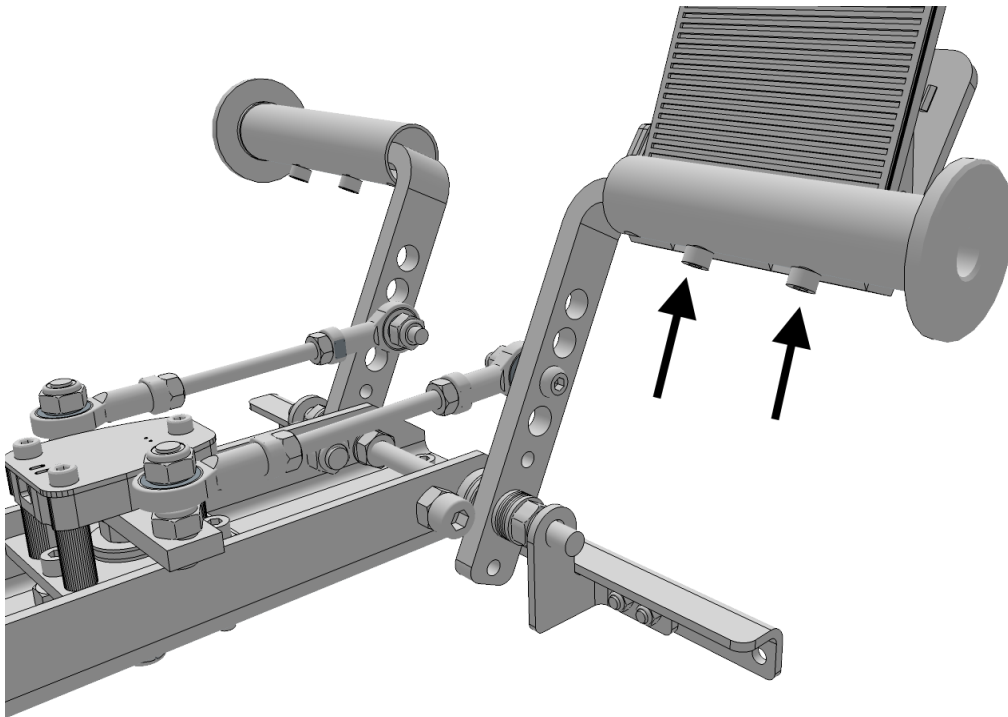
Once fully inserted, gently rotate the assembly towards the front



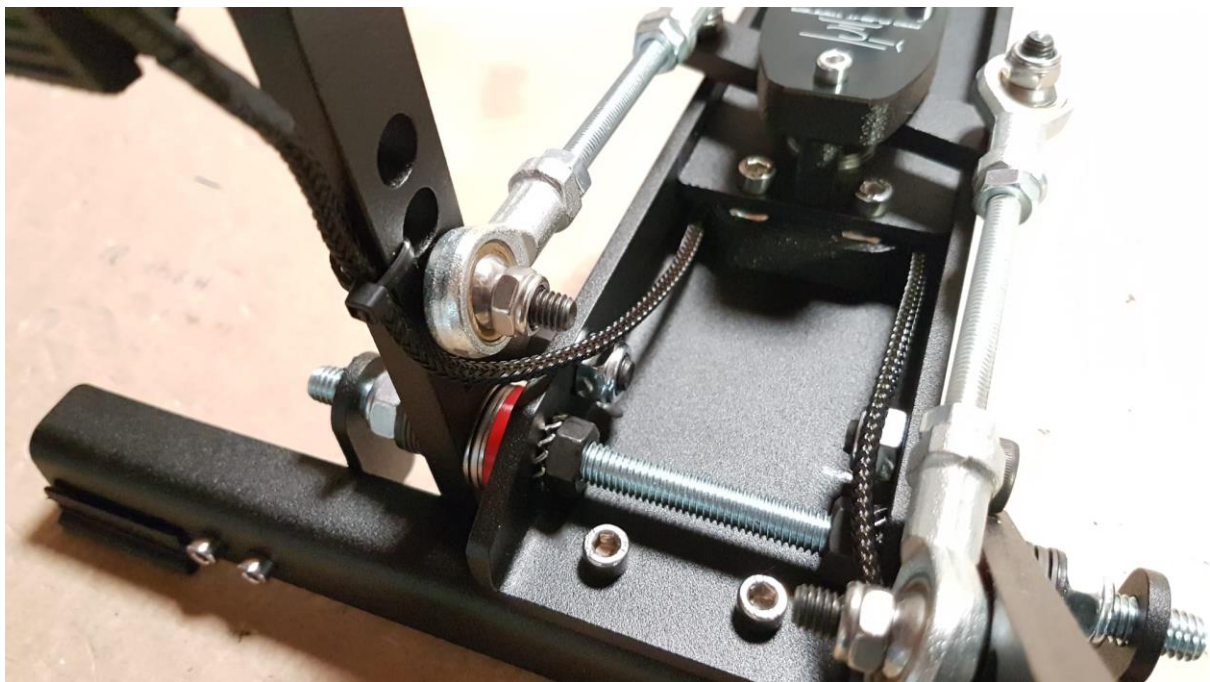
Check that the holes are aligned, and insert the pedal screws



Tighten the screws, repeat for the other side



Secure the wires with the provided tie wraps and route them under the pedal mixer assembly



The right toe brake wire connector should be labelled G and connects to the G port

The left toe brake wire connector should be labelled H and connects to the H port.