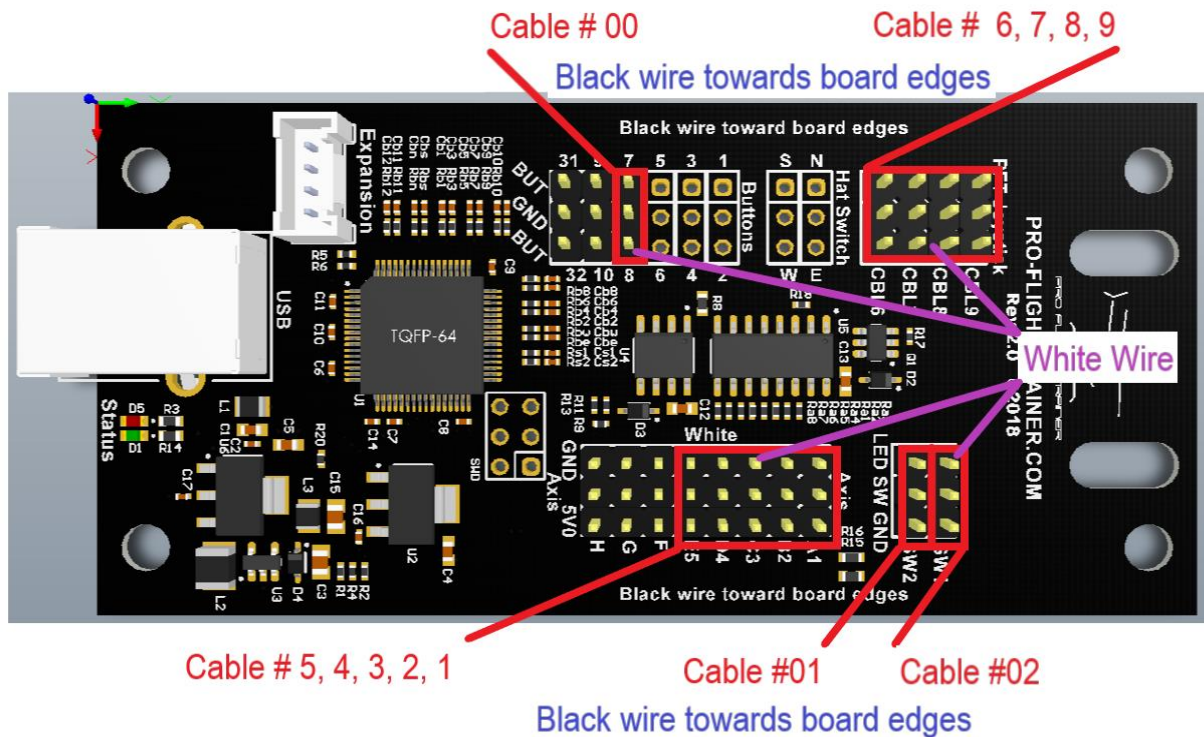


PCB WIRE LAYOUT

UPDATE: Your unit has been upgraded with our latest higher resolution PC board. Please use this drawing for reference in attaching control cables.



| Cable # | Location | Description |
|---------|--------------------------------|--------------------------------------|
| 1 | Cyclic Axis | X Axis |
| 2 | Cyclic Axis | Y Axis |
| 3 | Collective Axis | Z Axis |
| 4 | Pedal Axis | X Rotation |
| 5 | Collective Throttle Axis | Y Rotation |
| | | |
| 6 | Cyclic Buttons/Hat Switch | Button # 1 & 3, Hat Switch East |
| 7 | Cyclic Buttons/Hat Switch | Hat Switch North & West, Ground Wire |
| 8 | Cyclic Buttons/Hat Switch | Button # 2 & 4, Hat Switch South |
| 9 | Buttons (red) Collective | Momentary Button #5 Left, #6 Right |
| 00 | Left Toggle Switch Collective | Button # 7 or 8 (Always on switch) |
| | | |
| 01 | Right Toggle Switch Collective | Mode 2 (buttons change to #11-20) |
| 02 | Right Toggle Switch Collective | Mode 3 (buttons change to #21-30) |