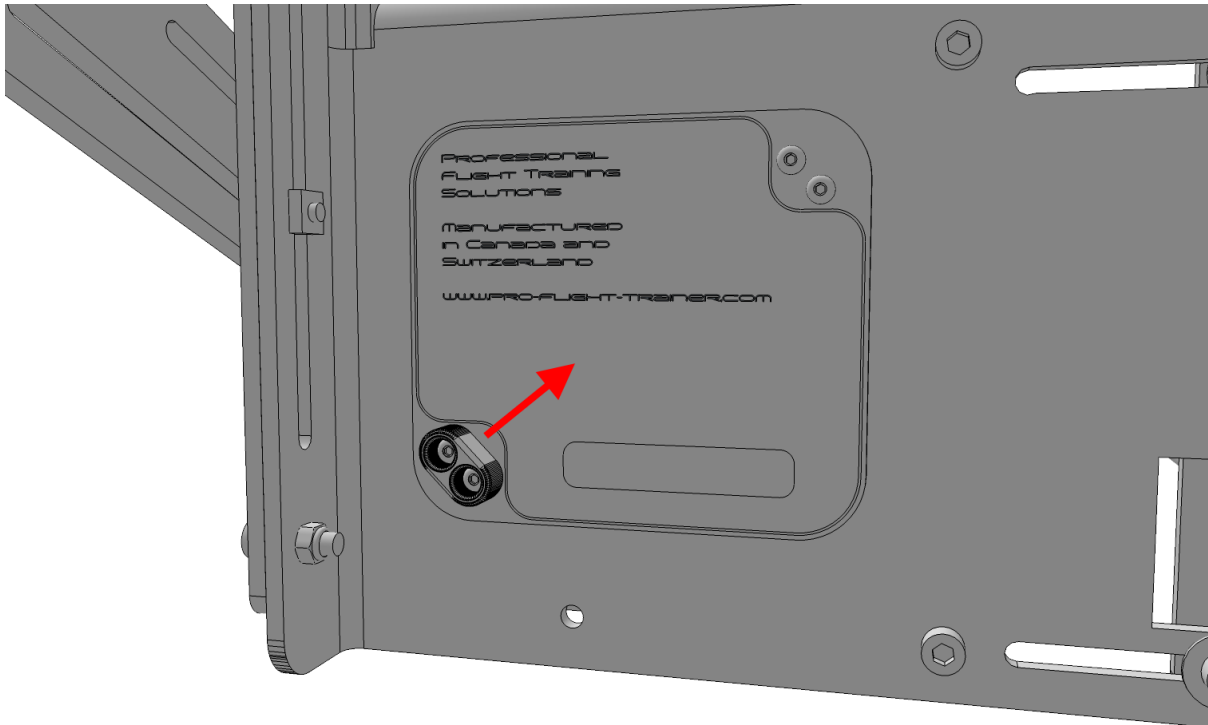


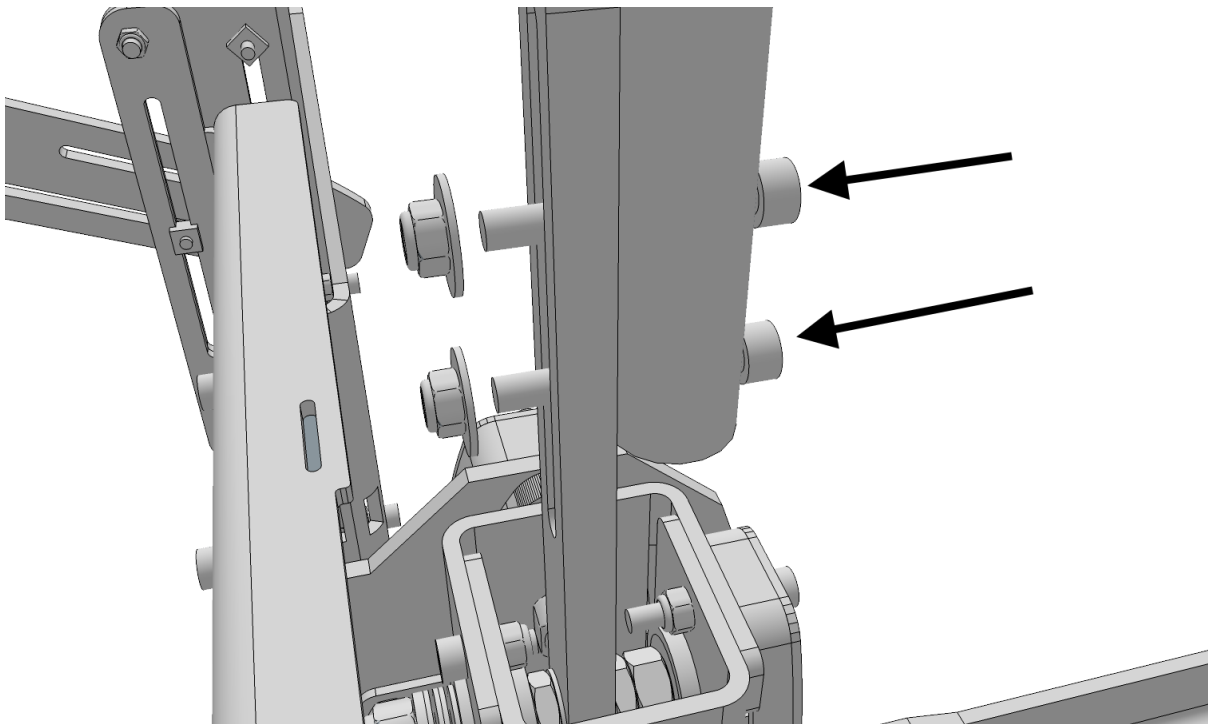
Quick guide for the A-Style Cyclic Grip

The A-Style Cyclic Grip is very easy to assemble! Start by removing the other grip.

Open the PCB access door, and remove both A-Grip cables (5 and 6)

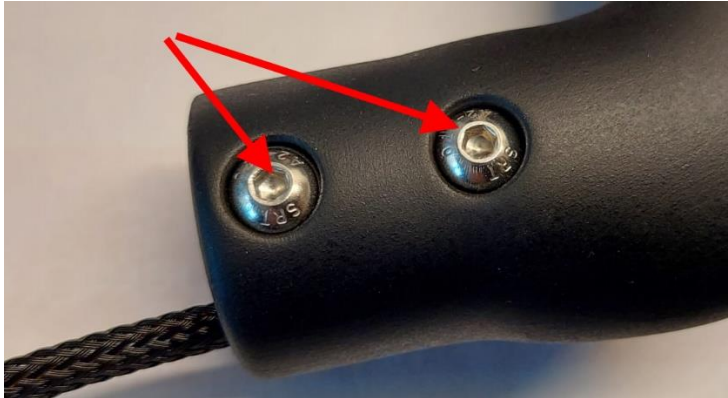


Remove the cyclic screws to release the Grip:



Depending on your packaging Style, you might have to mount the Cyclic Grip on the curved tube.

Start by releasing both M5 x 35mm button cap screws from the Cyclic Grip handle.



Insert the curved tube and align the holes.



Make sure the connection cable is not pinched while inserting the screws!



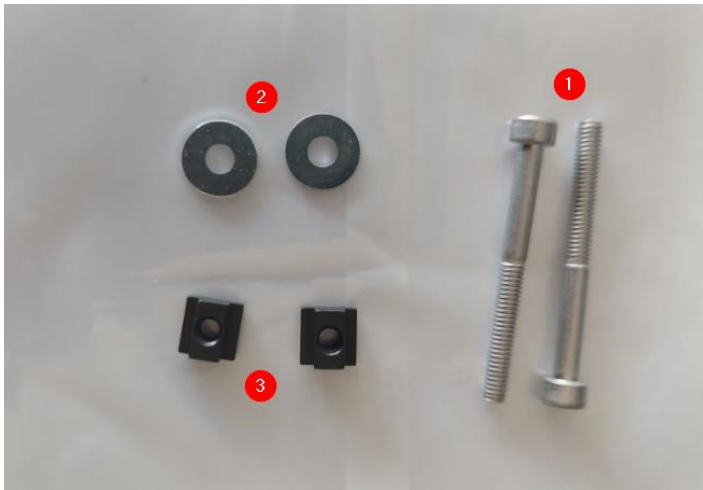
Tighten the screws just enough to prevent movement, no need to overtighten it 😊.

You can now attach the A-Style Cyclic grip with the new screws provided.

2x M4 x40mm Socket Cap Screws (1)

2x M4 washers (2)

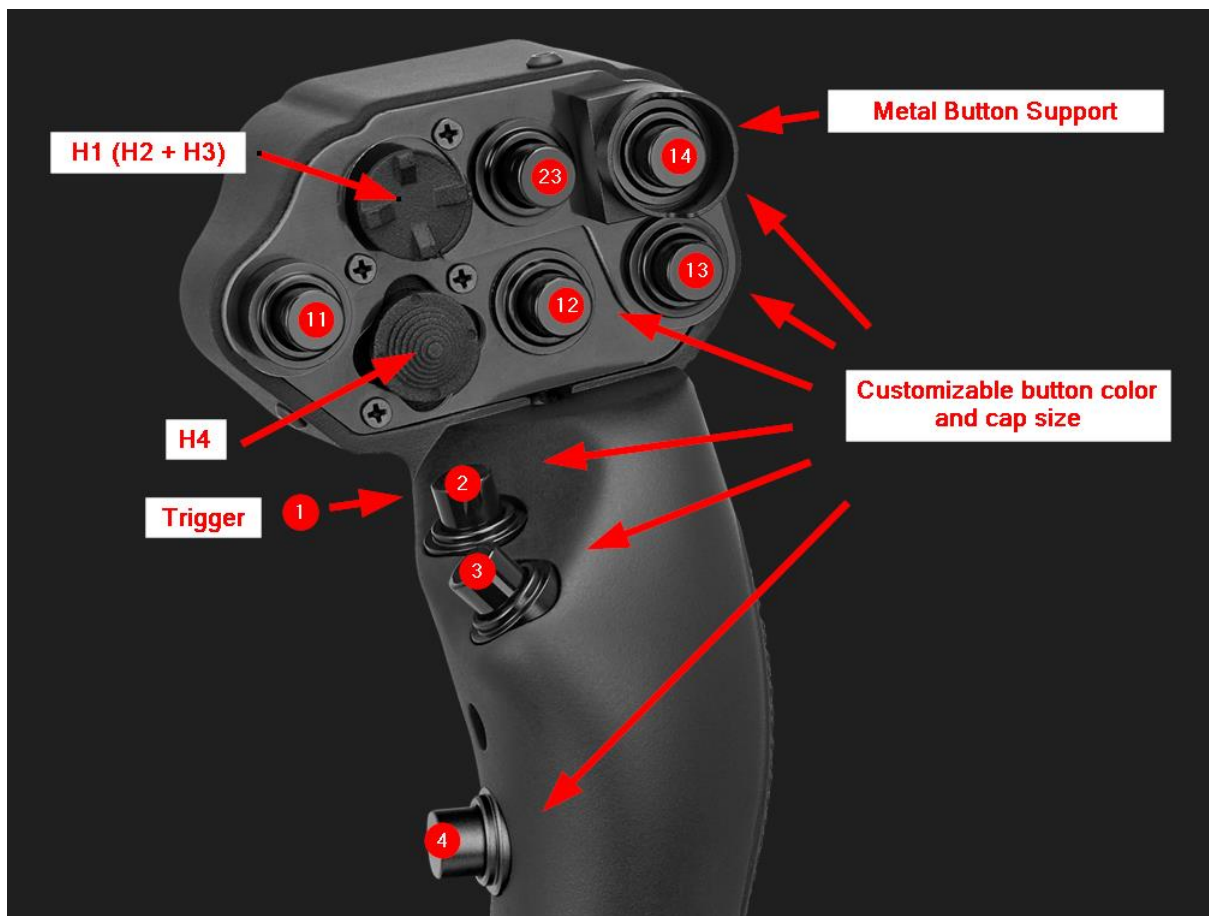
2x M4 T-Nuts (3)



The button is as follows:

Please note that with the current firmware, both hats are programmed to send 4-way signals.

Due to mechanical implications, it is possible that you might still see some “corner” activation, and you might spot the hat showing a NE, SE, etc position.



At this stage, we are working on releasing presets for X-Plane and FS2020 in order to show the correct picture during the simulator configuration.